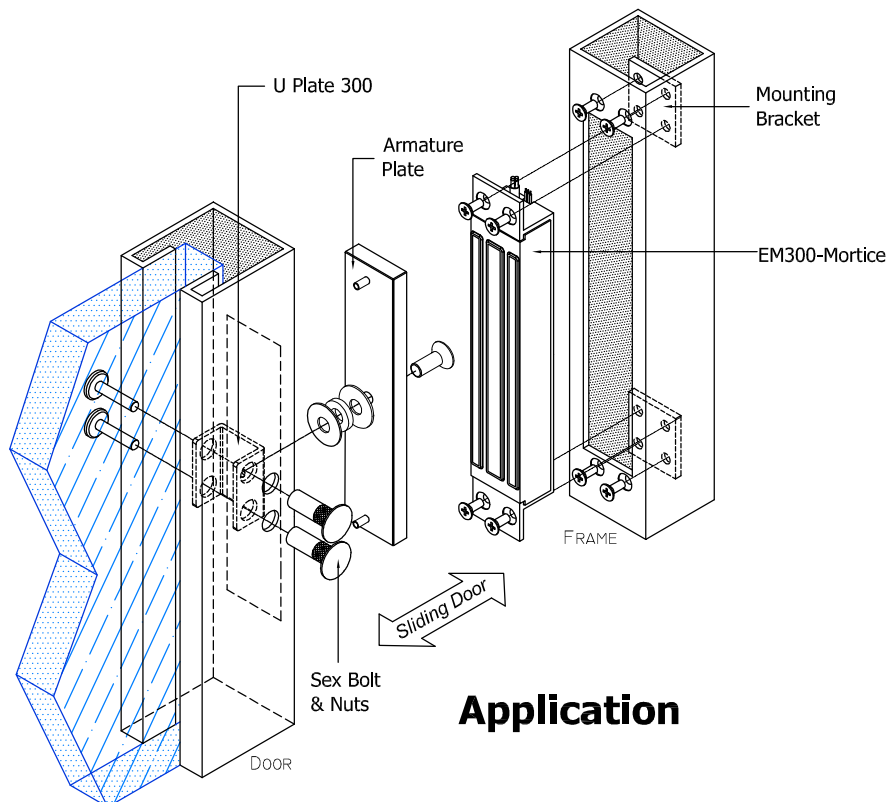
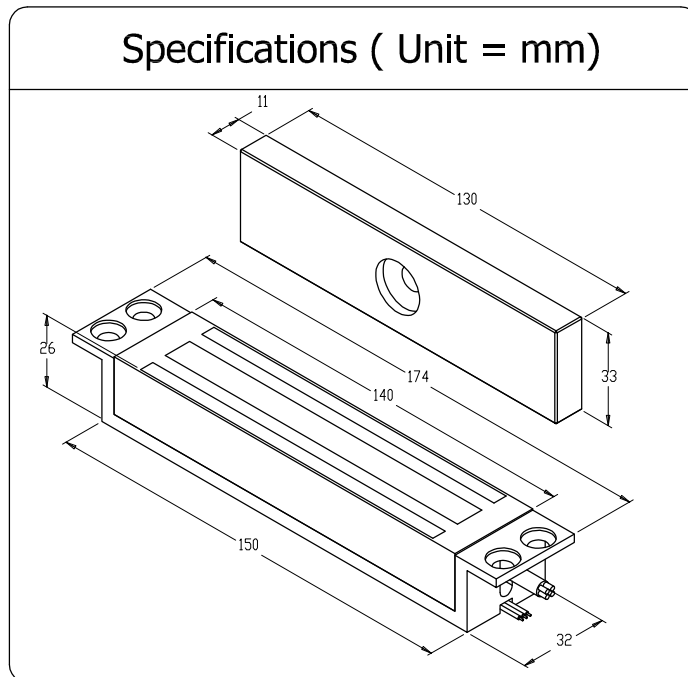


## EM300 - Mortice

( Sliding Door Application )



### Application

**SECURITY . QUALITY . RELIABILITY**