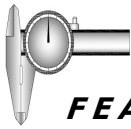


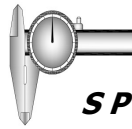


**Model : PSU-1203**



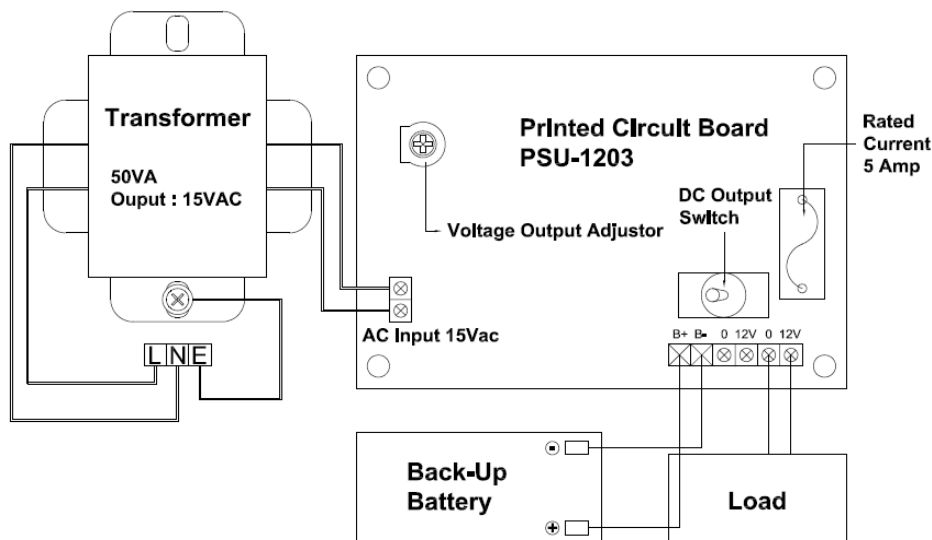
**FEATURES:**

- ▶ Over load protection
- ▶ Built-in backup battery charger
- ▶ Battery low cut-off
- ▶ Output voltage adjustment
- ▶ Dimension : W230mm x H240mm x



**SPECIFICATIO**

- ▶ Input Voltage : 220~240 VAC, 50Hz
- ▶ Output Without Loading : 13.5 VDC
- ▶ Output With Loading : 13.0 VDC
- ▶ Output Current : 3.0 ADC
- ▶ Load Regulation : NL to FL3%
- ▶ Battery Low Cut-Off : 10.5 VDC
- ▶ Operating Temperature : 0~65 deg C
- ▶ Casing Surface Finishing : Powder Coating
- ▶ Cooling : Natural Air Vitalization



**Disclaimer :**

EBELCO reserve the right to go ahead with any modifications of models or features or price without forewarning. All the information and specifications stated in this document are current at the time of publication.

**SECURITY . QUALITY . RELIABILITY**