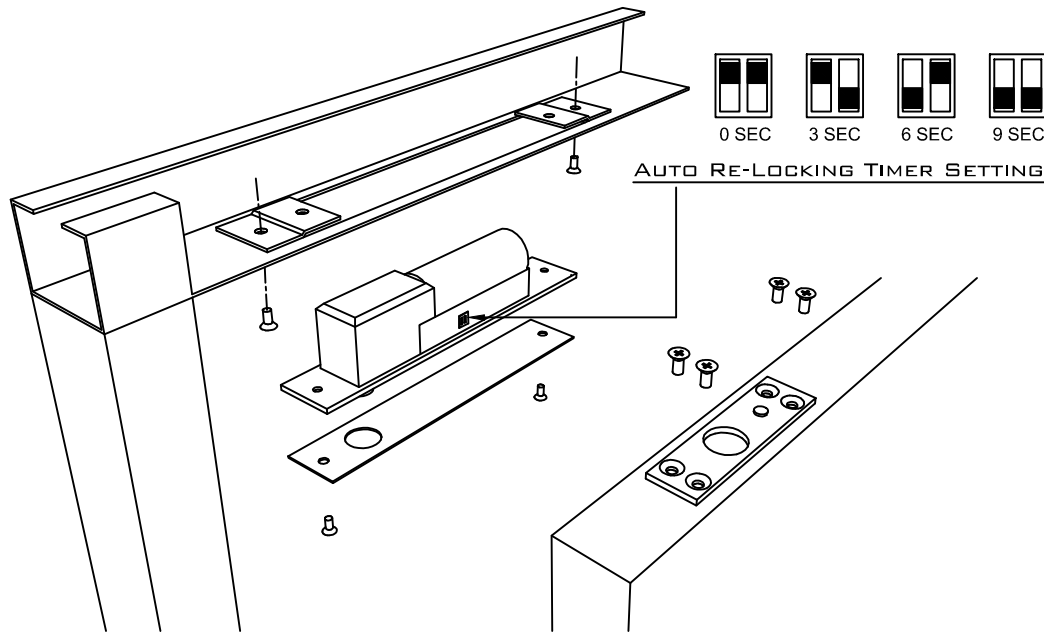


ELECTRIC DROP BOLT INSTALLATION GUIDE MODEL: DB-300



SPECIFICATION:-

1. Voltage Input : 24 VDC
2. Wiring : Red = Positive (+)ve
Black = Ground (-)ve
White = Common
Blue = Normally Close
3. Solenoid : Continuous Operating
4. Current Consumption : Initiation:900mA ; Operating:100mA
5. Automatic Dead Bolt : Standard on all models.
6. Fail Safe : Lock when energized (Power to Lock)
7. Door State Detection : Door detector is switch On / Off.

PACKAGE INCLUDES:-

1. Cutout x 1 (210x35mm)
2. Cover Plate x 1 (215x42x0.8mm)
3. Face Plate x 1 (205x35x3mm)
4. Strike x 1 (87x24x5.7mm)
5. Mounting Hardware - 2pcs x Ext. Plate
4pcs x M/C Screw M4x10
6pcs x S/T Screw #4 x 1"

All Right Reserved.
EISB-EDB-IG Ver.A Publish:13.03.2019

