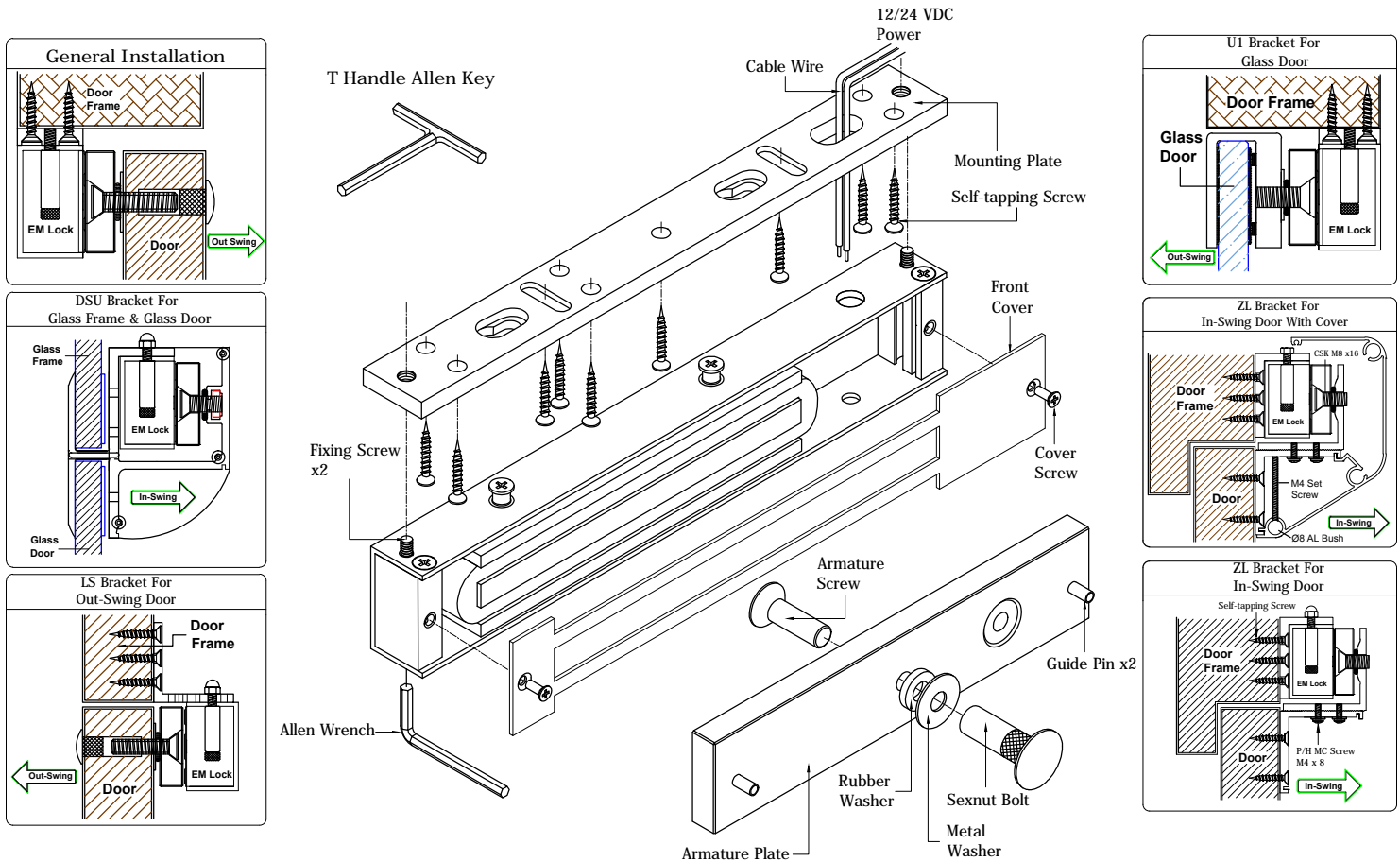


# Electromagnetic Lock Installation User Guide (Indoor Models)



Spec	Model	EM 600LED-FR	EM 1200LED-FR
Holding Force		Up to 600lbs (272 kg)	Up to 1200lbs (545 kg)
Voltage Input		12VDC / 24VDC	12VDC / 24VDC
Dimension		(L)250 x (W)42 x (T)25 (mm)	(L)266 x (W)68 x (T)43 (mm)
Current Draw		480mA / 240mA	500mA / 250mA

## Basic Installation Concept & Accessories

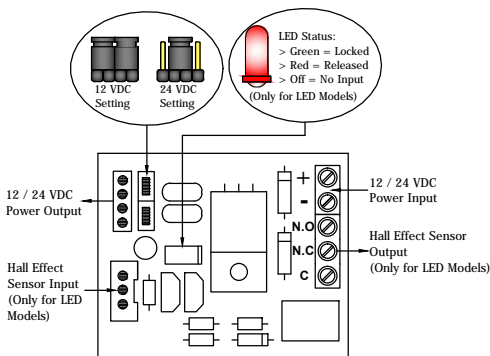


## General Installation Steps & Maintenance

1. Drill the armature plate holes in the door using the sticker template provided.
2. Attach the armature plate to the door with the hardware provided as per the illustration.
3. With the door closed, mark the door frame at the edge of the armature in order to properly align the electromagnet to the armature.
4. Attach the mounting plate to the door frame using the self-tapping screws provided. Align the mounting plate with the mark from the previous instruction.
5. Insert the wires through the hole in the mounting plate and into the electromagnet unit. Attach the electromagnet unit to the mounting plate with the Allen head fixing screw.
6. Screw in the anti-tamper nuts to prevent unauthorized access and make sure to fully tighten the fixing screw with proper tool "T" Handle Allen Key.
7. Connect the power wires accordance with NFPA 101 & all wiring to be completed inside protect area.
8. Typical wiring method which shall be in accordance with CSA C22.1, Canadian Electrical Code, Part I, Safety Standard for Electrical Installations, Section 32.
9. It is recommended that to apply a light coat of silicon lubricant to the mating surface on a monthly basis to prevent rust.

## Trouble Shooting

1. Sensor not functioning
  - Improper attachment of electromagnet and armature plate
  - Modification of the PCB
2. Door not locked
  - Incorrect wiring or no power from power supply
3. Reduced holding force
  - Poor contact of electromagnet and armature.
  - Be sure armature is loose enough that it can fully contact electromagnet along the entire length.
  - Mating surface is dusty or damaged.
  - Improper input voltage or wire size.



### Caution Against Changing Factory Applied Settings !

Set the jumper position according to the power input correctly before switch ON the power.

Remark: Drawing maybe differ from actual product.

Copyright © EISB. All Right Reserved.

EISB-EMS-IG Ver.A Publish: 23.11.2018