

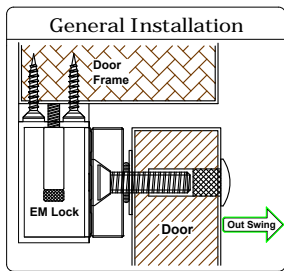
# Electromagnetic Lock Installation Instruction Guide (Intend for use in indoor dry location)

SECURITY

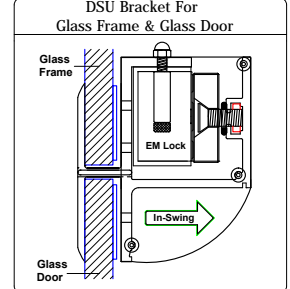
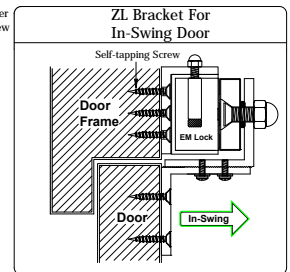
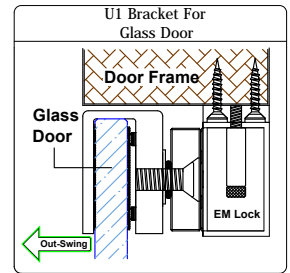
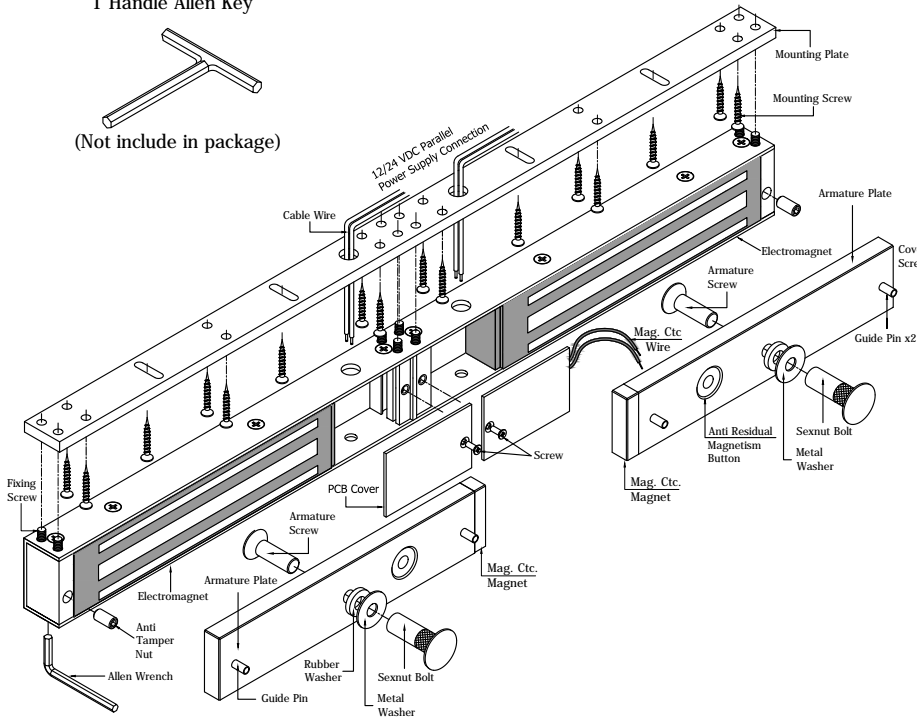
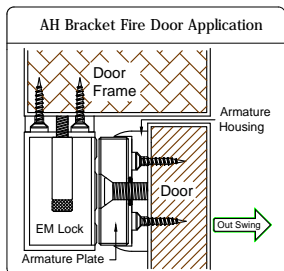
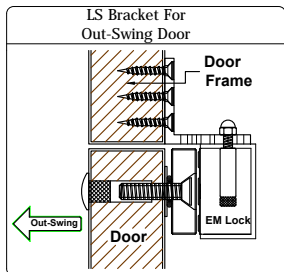
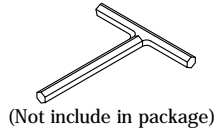


Spec	Model	600D-LED-TB-MC *	800D-LED-TB-MC	1200D-LED-TB-MC
Static Strength		Up to 600lbs x2 (Factory Tested)**	600lbs x2 (Factory Tested)** 500lbs x2 (UL Verified)	1200lbs x2 (Factory Tested)** 1000lbs x2 (UL Verified)
Dynamic Strength		N/A	50ft-lb	70ft-lb
Voltage Input		12VDC / 24VDC	12VDC / 24VDC	12VDC / 24VDC
Current Draw		510mA x2 / 285mA x2	510mA x2 / 285mA x2	500mA x2 / 265mA x2
Dimension		(L)500 x (W)42 x (T)25 (mm)	(L)500 x (W)50 x (T)29 (mm)	(L)532 x (W)67 x (T)39 (mm)

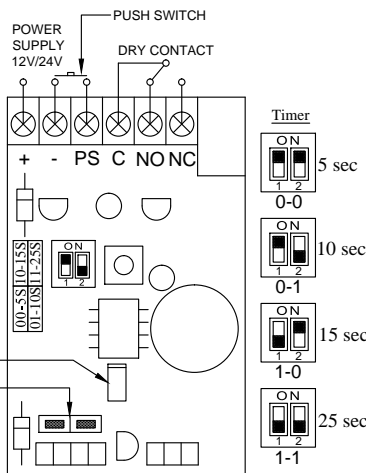
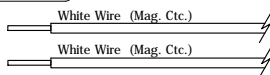
## Basic Installation Concept & Accessories



T Handle Allen Key



Door Contact Sensor:  
Max. Contact Rate: 40VDC, 0.25A  
(Only for Mag. Ctc. Models)



**Caution Against Changing Factory Applied Settings!**  
Set the jumper position according to the power input correctly before switch ON the power.

### General Installation Steps & Maintenance

1. Fold the installation template provided along the dotted line upto 90°.
2. Close the door & position the template at the lock jamb side of the frame with a gap 10mm.
3. Mark & drill holes according to template indications.
4. Install the Armature Plate to the door.
5. Loosely tighten screw through the adjustable slot on mounting plate to the door frame as indicated on installation template.
6. Make sure the mounting plate & armature align properly, then screw in the balance mounting screws.
7. Use allen wrench to unscrew anti tamper nut and install the lock by tighten the fixing screws on the mounting plate. Pull cable wire through frame to lock housing.
8. Screw in the anti-tamper nuts to prevent unauthorized access and make sure to fully tighten the fixing screw with proper tool "T" Handle Allen Key.
9. Connect the power wires accordance with NFPA 101 & all wiring to be completed inside protect area.
10. Connect the magnetic contact wire to the door monitoring system; according to the system guides.
11. Typical wiring method which shall be in accordance with CSA C22.1, Canadian Electrical Code, Part I, Safety Standard for Electrical Installations, Section 32.
12. It is recommended that to apply a light coat of silicon lubricant to the mating surface on a monthly basis to prevent rust.

### Trouble Shooting

1. Sensor not functioning
  - Improper attachment of electromagnet and armature plate
  - Modification of the PCB
2. Door not locked
  - Incorrect wiring or no power from power supply
3. Reduced holding force
  - Poor contact of electromagnet and armature.
  - Be sure armature is loose enough that it can fully contact electromagnet along the entire length.
  - Mating surface is dusty or damaged.
  - Improper input voltage or wire size.

### Performance Level

- Destructive Attack: Level I
- Line Security: Level I
- Standby Power: Level I
- Endurance 250,000 Cycles: Level IV (Relay Source #2 & #3)

Copyright © E.I.S.B. All Right Reserved.  
EISB-EMS-IG Ver.A Publish:11.3.2020

Notice:  
All models are Recognized to:  
UL 294 and ULC S533-15 : Standard for Access & Egress.  
Models 800D-LED-TB-MC & 1200D-LED-TB-MC are listed to:  
UL 1034, Standard for Burglary-Resistant Electric Locking Mechanism.  
UL 294, Access Control System Units  
\* Models are not listed in UL 1034  
\*\* Value not verified by UL.

Remark: All drawing shown are for illustration purpose only.  
Actual product may vary due to product enhancement.